

SNC-CH240

Network HD Camera—V Series

SONY
make.believe

High-Quality 1080p HD Security Camera with View-DR Technology

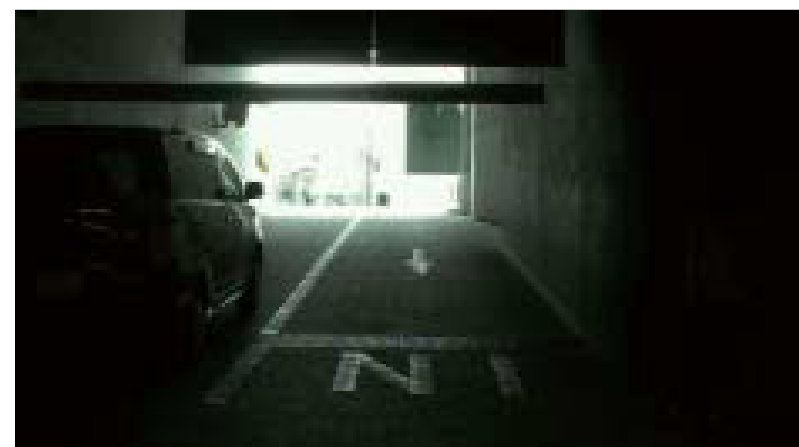
- Excellent 1080p HD picture quality, supporting H.264 at 30 fps
- 3 Megapixel (1920 × 1440) maximum resolution
- Three codecs (H.264, MPEG-4, JPEG) and a dual streaming capability
- The “Exmor” CMOS sensor incorporated to realize high image quality and low noise



Key Features

- View-DR—Sony’s innovative Wide Dynamic Range technology—to capture objects clearly and adaptively even under very harsh severe backlight or highlight conditions.

View-DR



OFF



ON

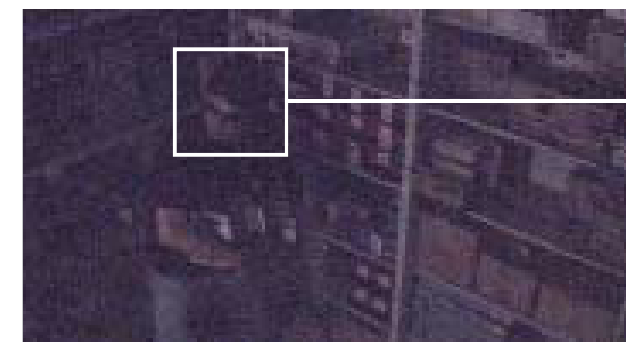
Actual Images

- Visibility Enhancer to optimize the brightness and color reproduction of an image dynamically on a pixel-by-pixel basis while continuously adapting to the scene, within the given dynamic range.
- Easy Focus function for easy installation.
- DEPA Advanced Intelligent Video and Audio Analytics to trigger an alarm, based on user-defined rules.

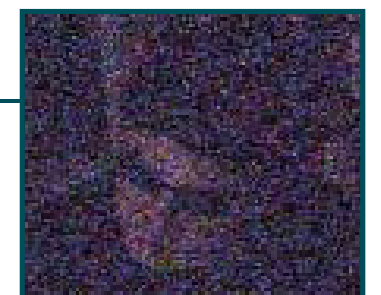


- Equipped with a CF slot for on-board recording and wireless operation capability with the optional SNCA-CFW5 802.11g card.

- Optical Day/Night function to switch to Day or Night mode depending on the light level.
- XDNR (eXcellent Dynamic Noise Reduction) technology for clear images without motion blur under low illumination.



OFF



ON



Actual Images

- Powered by either AC 24 V, DC 12 V, or PoE (Power over Ethernet) for easy installation.
- Equipped with a BNC connector to instantly monitor the video while installing the camera.
- ONVIF (Open Network Video Interface Forum) conformance that ensures greater interoperability and more flexibility in building multiple-vendor systems.



Connect Your Vision

IPELA™

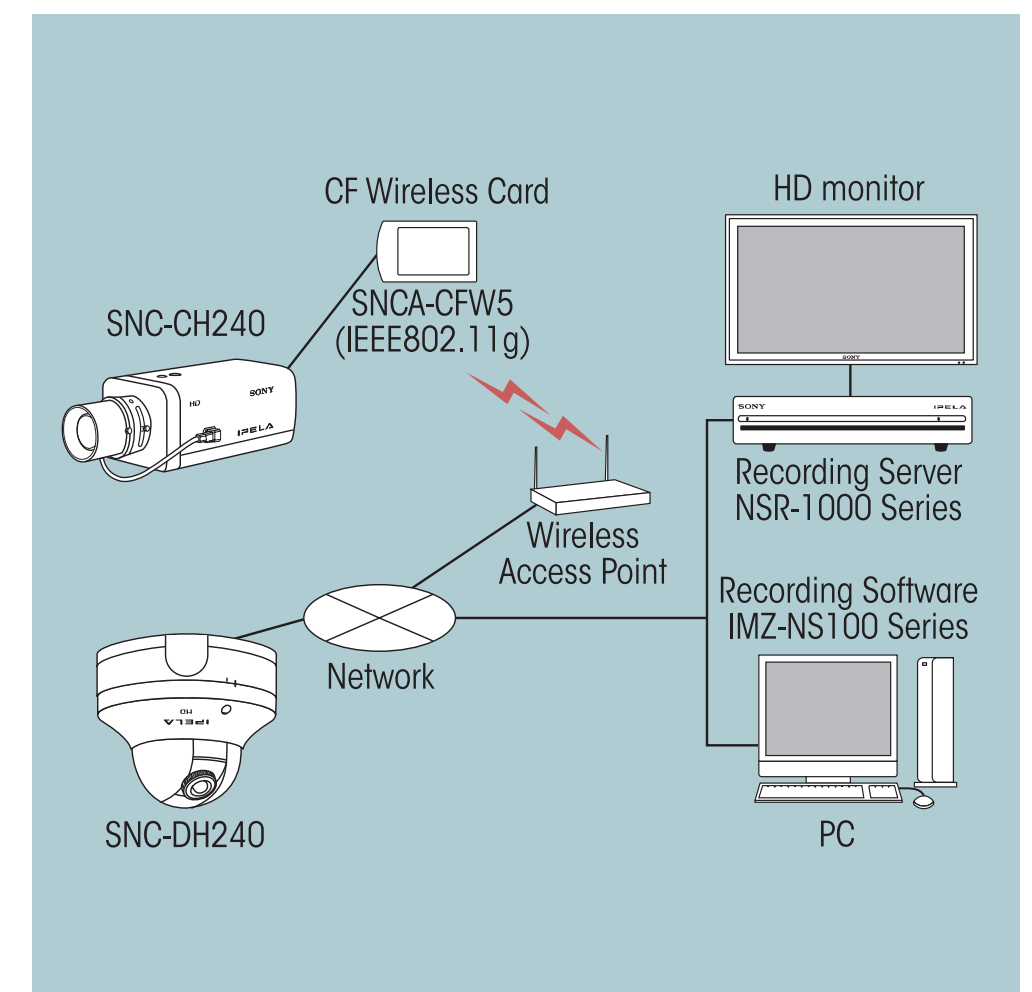
SPECIFICATIONS

SNC-CH240	
Camera	
Image device	1/2.8 type progressive scan "Exmor" CMOS sensor
Minimum illumination	Color: 0.55 lx, B/W: 0.3 lx (F1.3/View-DR OFF/XDNR ON-Middle/VE OFF/AGC High/50 IRE [IP])
Number of effective pixels (H x V)	3.27 Megapixel (2096 x 1561)
Electronic shutter speed	1s to 1/10000s
Gain control	Auto (3 levels)
Exposure control	Auto, EV Compensation*1, Auto Slow Shutter*2
White balance mode	Auto (ATW, ATW-PRO), Preset, One-push WB, Manual
Lens type	CS mount lens
Zoom ratio	Optical 2.1X (x2 Digital Zoom)
Horizontal viewing angle	101.2 to 47.0 degrees
Focal length	f=2.8 to 6.0 mm
F-number	F1.3 (Wide), F1.9 (Tele)
Minimum objects distance	300 mm
Powered focus	Yes (Easy Focus)
Camera Features	
Day/Night*3	Yes
Wide-D	View-DR (84 dB: Theoretical)
Image enhancement	Visibility Enhancer
Noise reduction	XDNR
Image	
Codec image size (H x V)	1920 x 1440, 1600 x 1200, 1680 x 1056, 1920 x 1080, 1440 x 912, 1376 x 768, 1280 x 960, 1280 x 800, 1280 x 720, 1280 x 1024, 1024 x 768, 1024 x 576, 800 x 480, 768 x 576, 720 x 576, 704 x 576, 720 x 480, 640 x 480, 640 x 368, 384 x 288, 320 x 240, 320 x 192 (H.264, MPEG-4, JPEG)
Video compression format	H.264, MPEG-4, JPEG
Codec streaming capability	Dual streaming
Maximum frame rate	H264: 20 fps (1920 x 1440) / 30 fps (1920 x 1080) MPEG-4: 15 fps (1920 x 1440) / 25 fps (1920 x 1080) JPEG: 10 fps (1920 x 1440) / 15 fps (1920 x 1080)
Audio	
Audio compression	G.711/G.726
Scene Analytics	
Intelligent motion detection	Yes (with built-in Post Filter)
Intelligent object detection	No
Rule filter	Yes
Network	
Protocols	IPv4, IPv6, TCP, UDP, ARP, ICMP, IGMP, HTTP, HTTPS, FTP (client/server), SMTP, DHCP, DNS, NTP, RTP/RTCP, RTSP, SNMP (MIB-2)
ONVIF conformance	Yes
Wireless network	Yes (with option*4)
Number of clients	10
Authentication	IEEE802.1X
Analog Video Output	
Signal system	NTSC / PAL
Horizontal resolution	600 TV lines
S/N ratio	More than 50 dB
Interface	
Ethernet	10BASE-T / 100BASE-TX (RJ-45)
Serial interface	No
Card slots	x 1
Analog video output	BNC x 1
Sensor input	x 1
Alarm output	x 2
External microphone input	Mini-jack (Monaural), MIC IN/LINE IN: 2.5VDC plug-in power
Audio line output	Mini-jack (Monaural), Max output level: 1 Vrms
General	
Mass	650 g (1 lb 7 oz)
Dimensions	72 x 63 x 197.3 mm (2 7/8 x 2 1/2 x 7 7/8 inches)
Power requirements	PoE, AC 24 V, DC 12 V
Power consumption	11.2 W max.
Starting temperature	0 to 50°C (32 to 122°F)
Working temperature	-10 to +50°C (23 to 122°F)
Storage temperature	-20 to +60°C (-4 to +140°F)
Safety regulation	UL2044, FCC 15B Class A, IC Class A, IEC60950-1, EN55022(A)+EN55024+EN50130-4, VCCI Class A, C-Tick Class A
System Requirements	
Operating system	Windows XP, Windows Vista, Windows 7
Processor	Intel Core2 Duo 2 GHz or higher
Memory	1 GB or more
Web browser	Microsoft Internet Explorer Ver6.0, 7.0, or 8.0
Supplied Accessories	
	CD-ROM (User's Guide, SNC Toolbox) Installation manual Wire rope M4 screw B&P Warranty Booklet

*1 VE off mode only. *2 View-DR off mode only. *3 Removable IR Cut Filter. *4 With optional SNCA-CFW5.

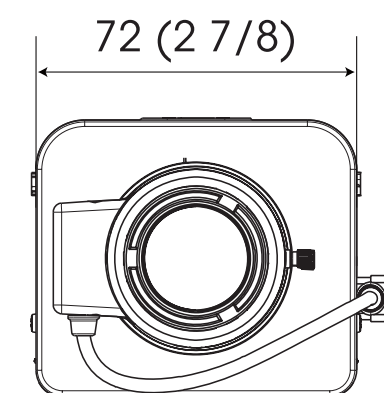
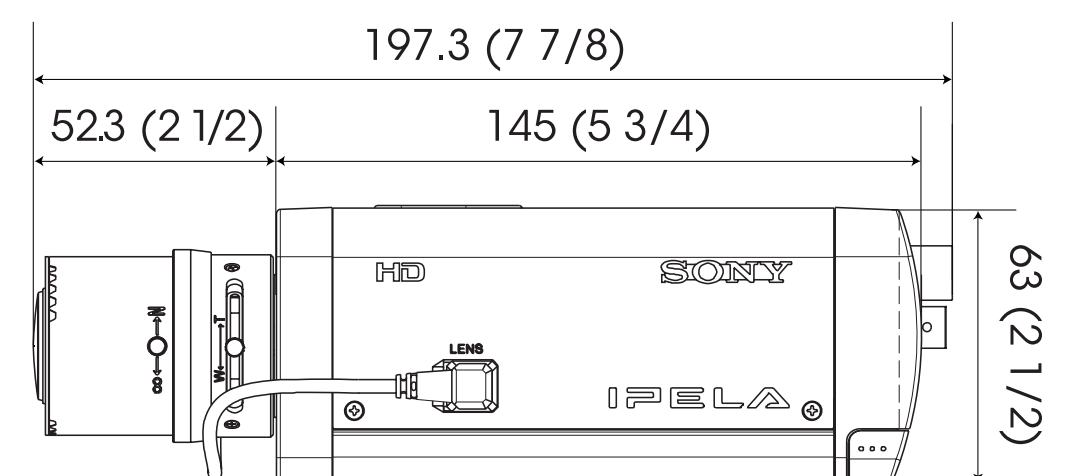
*The SNC-CH240 include software developed by the OpenSSL Project for use in the OpenSSL Toolkit (<http://www.openssl.org/>).

SYSTEM CONFIGURATION



DIMENSIONS

Unit: mm (inches)



Distributed by



www.use-ip.co.uk

01304 827609

© 2010 Sony Corporation. All rights reserved.
Reproduction in whole or in part without written permission is prohibited.
Features and specifications are subject to change without notice.
The values for weight and dimension are approximate.
Sony is a registered trademark of Sony Corporation.
IPELA and "Exmor" are trademarks of Sony Corporation.
Windows, XP, and Vista are trademarks of Microsoft Corporation.
Core is a trademark of Intel Corporation.
All other trademarks are the property of their respective owners